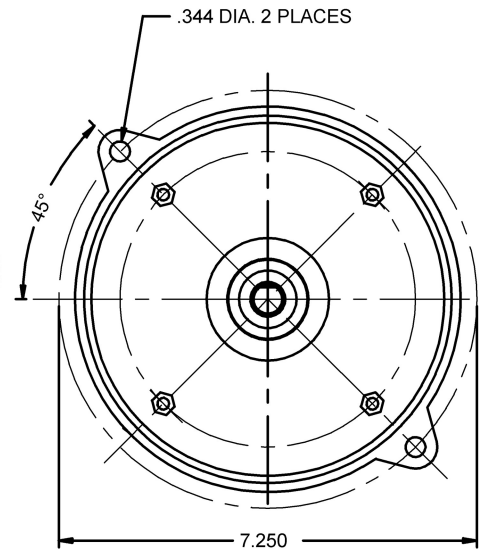
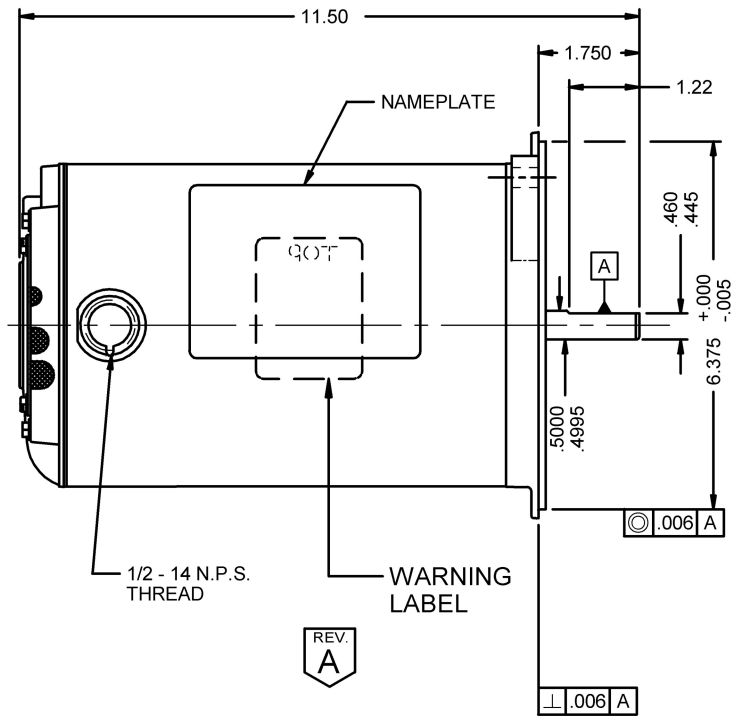
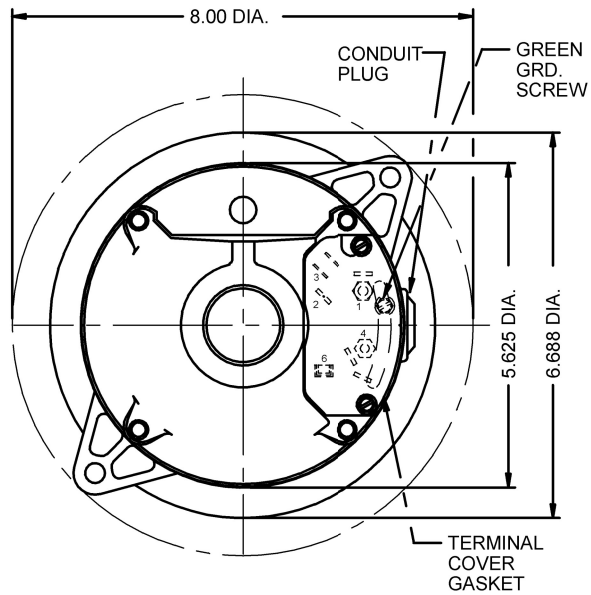




Catalog #: FD13BM2PZYR

Model_Number:	S055RED7948034B
PRODUCT NAME:	.33 HP - TENV - 1725
PHASETYPE:	1_SPLIT PHASE
MOTOR ENCLOSURE:	TENV
HORSEPOWER:	.33
KILOWATTS:	0.3
POLES:	4
NUMBER SPEEDS:	1
RPM:	1725
RPM 2:	1425
HERTZ:	60
HERTZ 2:	50
VOLTS PRIMARY:	115/230 V
VOLTS :	115
VOLTS 2:	230
FRME :	56
SHAFT CODE:	Y
STATOR DIAMETER:	5.5
STACK:	3
MOUNTING:	FLANGE
MOTOR TYPE:	FHP
OPPOSITE END BEARING:	6203
SHAFT END BEARING:	6203
AMBIENT:	40
ROTATION:	CW LEAD END REV
SERVICE FACTOR:	1
SHIPPING WEIGHT:	22
THERMAL PROTECTION:	MANUAL RESET
BREAKDOWN TORQUE:	53.96
BREAKDOWN TORQUE UOM:	OZFT
LOCKED ROTOR TORQUE:	36.01
LOCKED ROTOR TORQUE UOM:	OZFT
INSULATION CLASS:	B
KVA CODE LETTER:	S
LOCKED ROTOR AMPS:	46.08
FULL LOAD AMPS PRIMARY:	5.3/2.6&5.9/3.0
SERVICE FACTOR AMPS PRIMARY:	5.3/2.6&5.9/3.0



NIDEC MOTOR CORPORATION 28-Nov-11

MODEL	REF	CUSTOMER	HP	VOLTS	AMPS	HZ	RPM	ROTATION	CUSTOMER PN
S55KXRED-7948	--	USEM	1/3	115/230	5.3/2.6 & 5.9/3	60 & 50	1725 & 1425	CW LEAD END REV.	FD13BM2PZYR

SHEET NUMBER	REV	REVISION RECORD FOR:	ITEM NO.
1 OF 1	A	WARNING LABEL CHANGED	767806
REVISION DATE			
28-NOV-11			
ISSUED BY	REVIEWED BY	ENGINEER APPROVED	
J.G.SALINAS	B.CAMMACK	B.CAMMACK	

<p>INFORMATION DISCLOSED ON THIS DOCUMENT IS CONSIDERED PROPRIETARY AND SHALL NOT BE REPRODUCED OR DISCLOSED WITHOUT WRITTEN CONSENT OF NIDEC MOTOR CORPORATION</p> <p>ALL DIMENSIONS ARE FOR REFERENCE ONLY UNLESS TOLERANCE IS GIVEN</p>
<p>TITLE</p> <p>ASSEMBLED VIEW</p>

<p>NIDEC MOTOR CORPORATION</p>		
CODE	ITEM NO.	SIZE
V01	767806	A

Special Application Agriculture Auger Duty Motors



CAPACITOR START

APPLICATIONS:

For use on augers.

FEATURES:

- Totally Enclosed Fan Cooled (except where noted)
- Class B Insulation
- Manual Reset Thermal Overload Protector
- 1/2 HP & Above Have ODE Shaft Extension for Hand Crank
- Ball Bearings
- 56Y are Keyed; 56YZ are Flat Shaft
- Reversible Rotation
- Footless (except where noted)

Capacitor Start

HP	RPM	Voltage	Frame	Catalog Number	List	Discount Symbol	SF	"C" Dim. (inches)	Ship Wt. (lbs)	Full Load Amps	Notes
1/2	1800	115/230	56YZ	1843	\$644	DS-3FMP	1.00	11.6	29	8.0/4.0 & 9.6/4.8	98
	1800	115/230	56Y	FD12CM2PZY	\$515	DS-3FMP	1.00	11.6	32	8.0/4.0 & 9.6/4.8	98, FT
	1800	115/230	56Y	FD12CM2PZYR	\$495	DS-3FMP	1.00	12.0	22	8.6/4.3 & 10.4/5.4	95,98
3/4	1800	115/230	56Y	1801	\$590	DS-3FMP	1.00	12.9	38	10.6/5.3 & 11.8/5.9	
	1800	115/230	56YZ	FD34CM2PZY	\$568	DS-3FMP	1.00	12.6	32	10.6/5.3 & 11.8/5.9	98, FT
	1800	115/230	56YZ	FD34CM2PZYR	\$590	DS-3FMP	1.00	12.6	32	10.6/5.3 & 11.8/5.9	95,98
1	1800	115/208-230	56Y	FD1CM2PZY	\$652	DS-3FMP	1.00	12.9	36	12.8/6.5-6.4	FT
1 1/2	1800	115/230	56Y	FD32CM2PHZY	\$814	DS-3FMP	1.15	13.9	45	16.2/8.1	FT

Split Phase

HP	RPM	Voltage	Frame	Catalog Number	List	Discount Symbol	SF	"C" Dim. (inches)	Ship Wt. (lbs)	Full Load Amps	Notes
1/3	1800	115/230	56Y	FD13BM2PZYR	\$313	DS-3FMP	1.00	11.5	22	5.3/2.6&5.9/3.0	28,95

Three Phase

HP	RPM	Voltage	Frame	Catalog Number	List	Discount Symbol	SF	"C" Dim. (inches)	Ship Wt. (lbs)	Full Load Amps	Notes
1/3	1800	190/380 & 208-230/460	56Y	FD13SM2DZYR	\$424	DS-3FMP	1.00	11.2	26	2.0/1.0 & 1.8-2.0/1.0	
1/2	1800	190/380 & 208-230/460	56Y	FD12SM2DZYR	\$467	DS-3FMP	1.00	11.8	17	2.2/1.1 & 2.0-2.0/1.0	
3/4	1800	190/380 & 208-230/460	56Y	FD34SM2DZYR	\$526	DS-3FMP	1.00	11.8	27	3.0/1.5 & 2.7-2.6/1.3	
1	1800	190/380 & 208-230/460	56Y	FD1PM2DZYR	\$549	DS-3FMP	1.15	13.0	36	3.5/1.8 & 3.3-3.2/1.5	
1 1/2	1800	190/380 & 208-230/460	56Y	FD32PM2DZYR	\$633	DS-3FMP	1.15	14.0	38	4.5/2.2 & 4.5-4.5/2.2	

Note 28 TENV Enclosure
 Note 95 Nitride shaft
 Note 98 50/60 Hz Motor
 Note FT Footed